

PD61

LIQUID DRAIN TRAPS



DESCRIPTION:

PD61 float traps are designed to drain moisture/liquids from compressed air/gas systems.

FEATURES: Modulating discharge.

USE: Compressed air and non-corrosive gas compatible with the construction.

SIZES: NPS 1/2, 3/4, 1

CONNECTIONS: Screwed (NPT/BSPT/BSP)

LIMITING CONDITIONS:

PMA: Max. allowable pressure	230 psig
TMA: Max. allowable temperature	425 °F
PMO: Max. operating pressure	200 psig
TMO: Max. operating temperature	425 °F
Cold hydro test pressure	375 psig

Max. differential pressure range:

PD61 - 65 : 65 psi
 PD61 - 145 : 145 psi
 PD61 - 200 : 200 psi

INSTALLATION:

Standard horizontal installation with flow from right to left PD61.

UPON REQUEST:

- Horizontal installation with flow from left to right PD61 (L-R)
- Vertical installation with flow from top to bottom PD61 (V).

The trap should be installed below the drain point of the equipment in a position so that the float arm is in a horizontal plane and the float rises and falls vertically, with the flow direction as indicated on the body. The arrow on the nameplate should be pointing vertically upwards. It is recommended that an equalizer line be fitted as shown in the installation manual for this product.

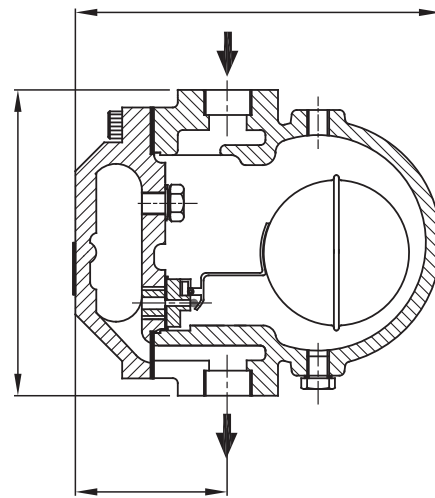
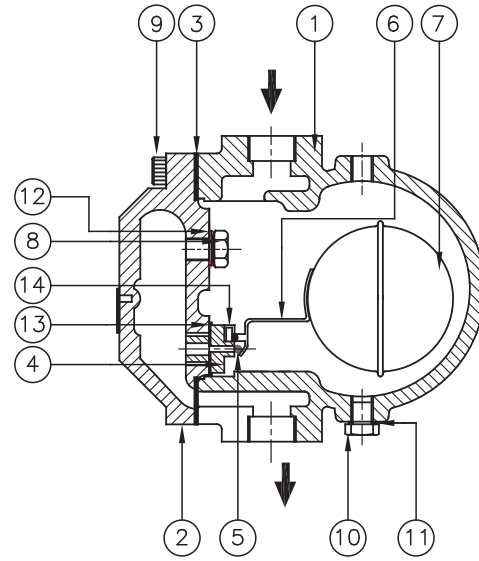
CAUTION:
DO NOT USE FOR HAZARDOUS/POISONOUS MEDIA

DISCHARGE CAPACITY IN lbs/hr (COLD WATER)

MODEL	SIZE	DIFFERENTIAL PRESSURE (psi)																
		7	15	21.5	28.5	42.5	57	65	70	85	100	115	128	145	157	170	185	200
PD61-65	1/2", 3/4"	570	800	915	1000	1145	1300	1420	-	-	-	-	-	-	-	-	-	-
PD61-65	1"	1515	1980	2130	2500	2860	3125	3485	-	-	-	-	-	-	-	-	-	-
PD61-145	1/2", 3/4"	385	430	506	540	660	770	805	825	860	1000	1110	1145	1200	-	-	-	-
PD61-145	1"	615	880	1045	1175	1430	1615	1695	1805	1925	2025	2155	2245	2345	-	-	-	-
PD61-200	1/2", 3/4"	363	395	430	475	550	627	660	705	770	850	935	1000	1078	1155	1230	1300	1375
PD6 -200	1"	340	450	505	625	790	860	900	945	1035	1090	1145	1230	1285	1320	1355	1395	1450

MATERIAL:

NO.	PART	MATERIAL	QTY. (Nos.)
1.	BODY	CAST IRON	1
2.	COVER	IS : 210 FG200	1
3.	GASKET (COVER)	Non CAF	1
4.	VALVE SEAT	AISI 410/ AISI 420	1
5.	VALVE		1
6.	LEVER	AISI 304	1
7.	FLOAT	AISI 304	1
8.	AIR VENT ASSLY.	AISI 304	1
9.	BOLT	HIGH TENSILE	4
10.	DRAIN PLUG	C.S	1
11.	GASKET DRAIN PLUG	COPPER	1
12.	GASKET AIR VENT	COPPER	1
13.	GASKET VALVE SEAT	COPPER	1
14.	BRACKET ASSLY.	AISI 304	1
15.	LABEL	AISI 304	1



*Only for 1" size (Not shown in view)

DIMENSIONS: Nominal in inches

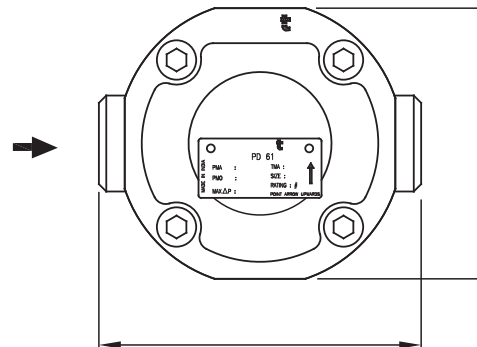
SIZE	A	B	C	D	Wt.
1/2", 3/4"	5.12	5.75	2.32	4.33	7.25 lbs
1"	5,71	6.38	2.59	4.33	9.45 lbs

AVAILABLE SPARES:

Valve Seat, Ball Float & Lever Assly., Gaskets.

ORDERING INFORMATION:

Refer 'How to Order' page



Local regulations may restrict the use of this product below the conditions quoted. Limiting conditions refer to standard connections only. In the interest of development and improvement of the product, we reserve the right to change the specifications without prior notice.